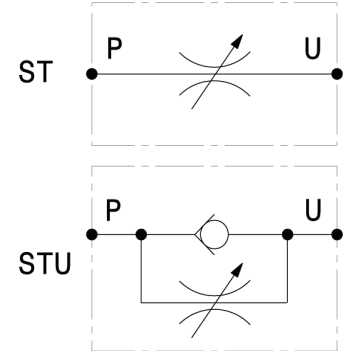
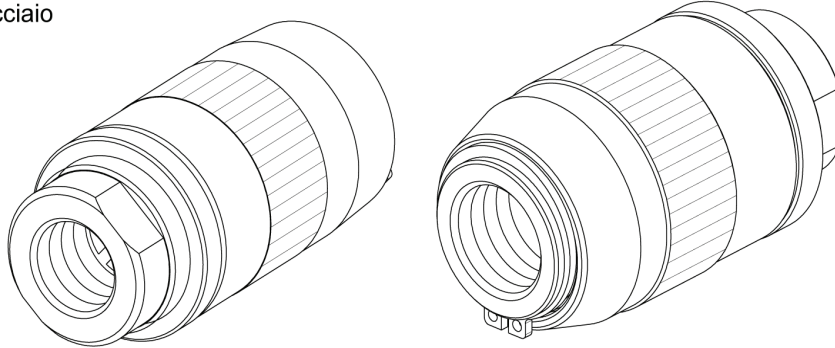
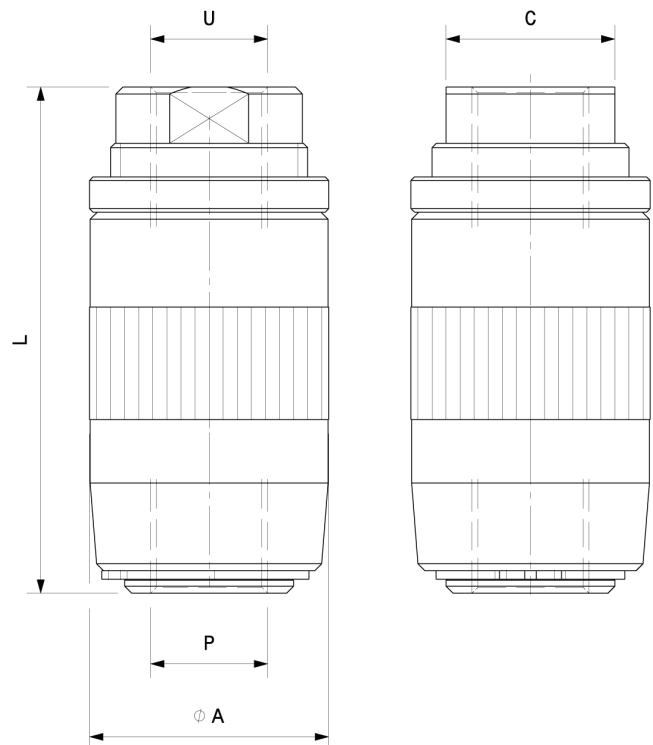


Strozzatore / Strozzatore unidirezionale
 Needle valve / unidirectional needle valve
 mod. ST / STU

Corpo in acciaio
 Steel body



Modello Type	PU	A	L	C	Portata massima Max flow	Pressione max Max pressure
ST-14	1/4" GAS	27	61	17	25 l/min 6.6 gpm	350 bar 5000 psi
STU-14	1/4" GAS	27	61	17	25 l/min 6.6 gpm	350 bar 5000 psi
ST-38	3/8" GAS	34	72	24	40 l/min 10.5 gpm	350 bar 5000 psi
STU-38	3/8" GAS	34	72	24	40 l/min 10.5 gpm	350 bar 5000 psi
ST-12	1/2" GAS	40	72	27	60 l/min 16 gpm	350 bar 5000 psi
STU-12	1/2" GAS	40	72	27	60 l/min 16 gpm	350 bar 5000 psi
ST-34	3/4" GAS	50	100	32	120 l/min 32 gpm	350 bar 5000 psi
STU-34	3/4" GAS	50	100	32	120 l/min 32 gpm	350 bar 5000 psi
ST-10	1" GAS	60	115	41	200 l/min 53 gpm	300 bar 4300 psi
STU-10	1" GAS	60	115	41	200 l/min 53 gpm	300 bar 4300 psi



Dati e tarature ottenuti usando olio con viscosità 30 cSt a 50°C
 Performances and calibrations are carried out by using hydraulic oil with 30 cSt
 viscosity at 50°C

Viscosità consigliate Recommended viscosity	10 ÷ 420 cSt
Temperature di lavoro Working temperature	-20 ÷ +90 °C
Filtrazione assoluta Absolute filtration	25 µ

Sigla di ordinazione / Ordering code

STU-34

Modello
Type

I dati non sono impegnativi, **CBF** si riserva di apportare modifiche senza preavviso.
 The specifications are not binding, **CBF** reserves the right to introduce modifications without notice.