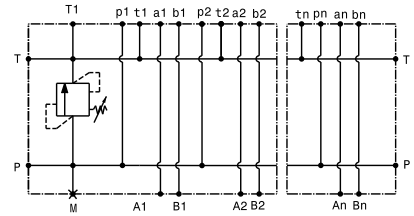
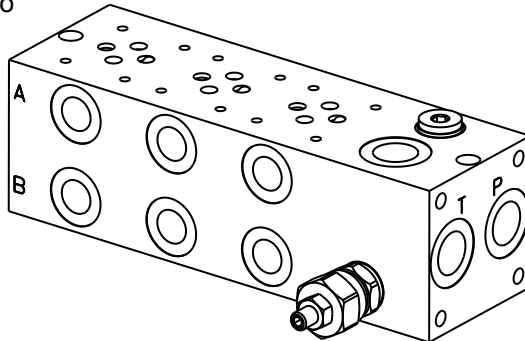


Base monoblocco con valvola limitatrice di pressione e attacchi laterali – luce 6
 Manifold plate for solenoid valves with relief valve and side ports – NG6

mod. **BEC3-VLP45-n-AL**

Corpo in alluminio
 Aluminium Body



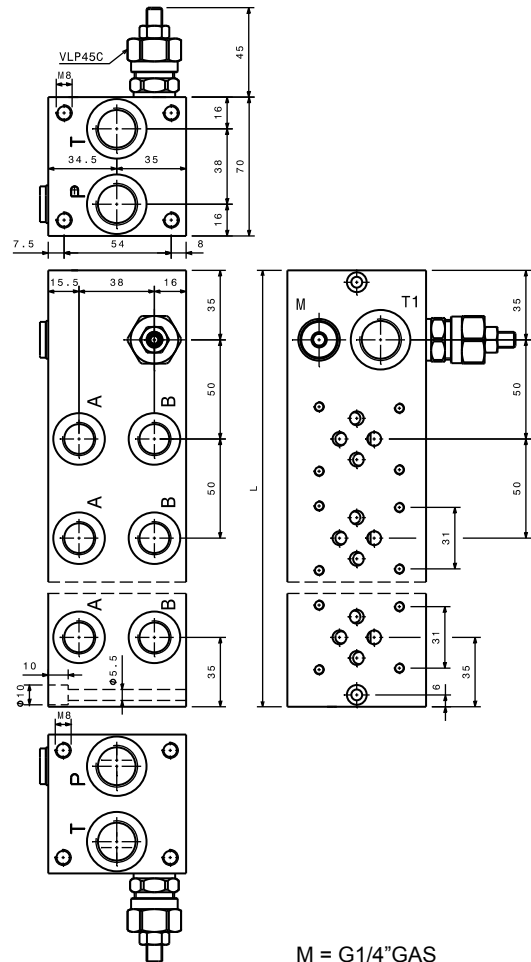
Portata massima Max flow	40 l/min 10.5 gpm
Pressione massima Max pressure	280 bar 4000 psi

Modello / Type	P,T	A,B	L
BEC3-VLP45-1-AL	1/2" GAS	3/8" GAS	120
BEC3-VLP45-2-AL	1/2" GAS	3/8" GAS	170
BEC3-VLP45-3-AL	1/2" GAS	3/8" GAS	220
BEC3-VLP45-4-AL	1/2" GAS	3/8" GAS	270
BEC3-VLP45-5-AL	1/2" GAS	3/8" GAS	320
BEC3-VLP45-6-AL	1/2" GAS	3/8" GAS	370
BEC3-VLP45-7-AL	1/2" GAS	3/8" GAS	420
BEC3-VLP45-8-AL	1/2" GAS	3/8" GAS	470

Taratura / Setting		
Codice Code	Taratura standard Standard setting (Q=5 l/min)	Campo di taratura Adj. Pressure range
00	40 bar 580 psi	5÷40 bar 72.5÷580 psi
01	80 bar 1160 psi	20÷100 bar 290÷1450 psi
02	180 bar 2600 psi	40÷250 bar 580÷3600 psi
03	250 bar 3600 psi	60÷350 bar 870÷5000 psi

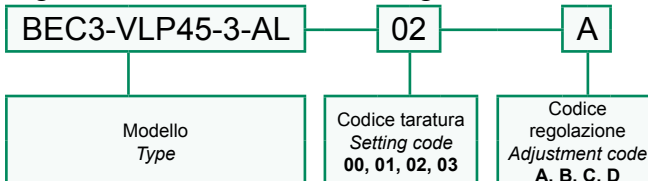
Dati e tarature ottenuti usando olio con viscosità 30 cSt a 50°C
 Performances and calibrations are carried out by using hydraulic oil with 30 cSt viscosity at 50°C

Viscosità consigliate Recommended viscosity	10 ÷ 420 cSt
Temperature di lavoro Working temperature	-20 ÷ +90 °C
Filtrazione assoluta Absolute filtration	25 µ



M = G1/4" GAS

Sigla di ordinazione / Ordering code



Regolazioni Adjustments VLP

A Es. 4 Es. 13 M8 x 7.7	B Es. 13 M8 x 11.0	C 8.7	D Es. 13 8.8
Vite esterna esagono incassato Leakproof hex socket screw	Volantino e dado Handknob and locknut	Piombatura Sealing cap	Cappello Cap

I dati non sono impegnativi, **CBF** si riserva di apportare modifiche senza preavviso.
 The specifications are not binding, **CBF** reserves the right to introduce modifications without notice.