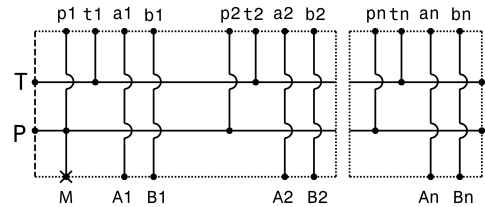
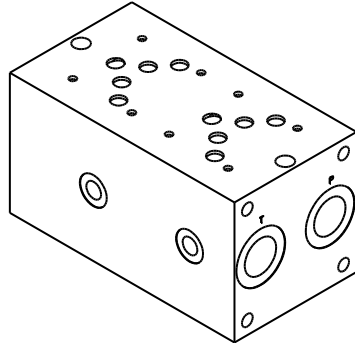


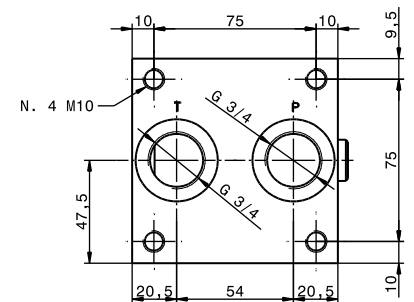
Base monoblocco con attacchi laterali- luce 10
 Mainfold plate for solenoid valves with side ports – NG10
 mod. BEC 5-n-AL

Corpo in alluminio
 Aluminum body



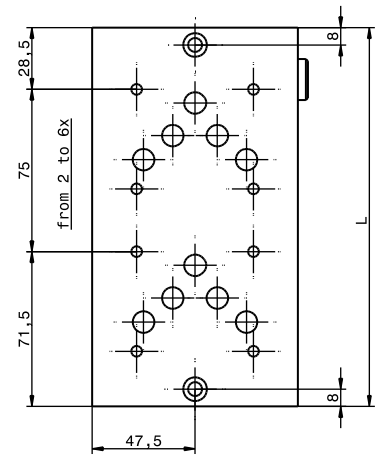
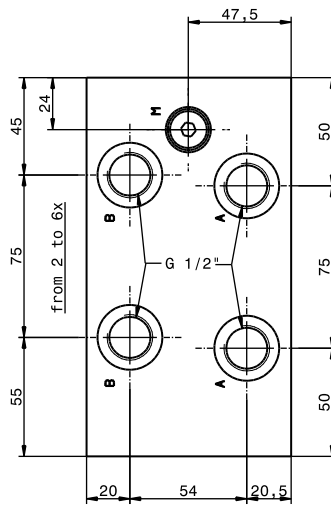
Portata massima Max flow	80 l/min 21 gpm
Pressione massima Max pressure	350 bar 5000 psi

Modello Type	P,T	A,B	L
BEC5-1AL	3/4" GAS	1/2" GAS	100
BEC5-2-AL	3/4" GAS	1/2" GAS	175
BEC5-3-AL	3/4" GAS	1/2" GAS	250
BEC5-4-AL	3/4" GAS	1/2" GAS	325
BEC5-5-AL	3/4" GAS	1/2" GAS	400
BEC5-6-AL	3/4" GAS	1/2" GAS	475

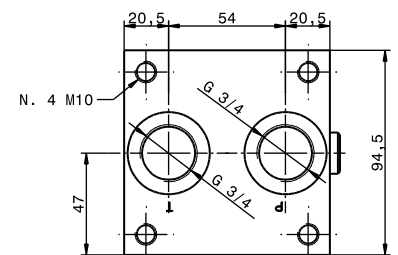
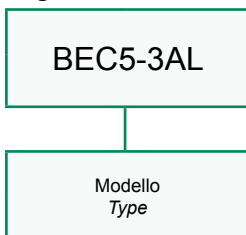


Dati e tarature ottenuti usando olio con viscosità 30 cSt a 50°C
 Performances and calibrations are carried out by using hydraulic oil with 30 cSt viscosity at 50°C

Viscosità consigliate Recommended viscosity	10 ÷ 420 cSt
Temperature di lavoro Working temperature	-20 ÷ +90 °C
Filtrazione assoluta Absolute filtration	25 µ



Sigla di ordinazione / Ordering code



I dati non sono impegnativi, **CBF** si riserva di apportare modifiche senza preavviso.
 The specifications are not binding, **CBF** reserves the right to introduce modifications without notice.