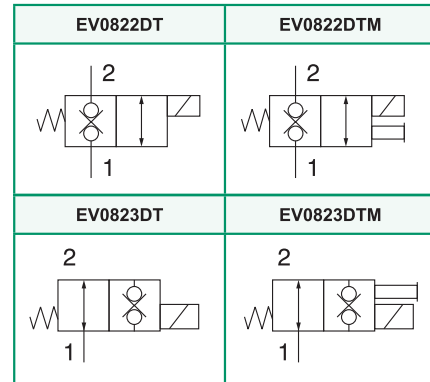
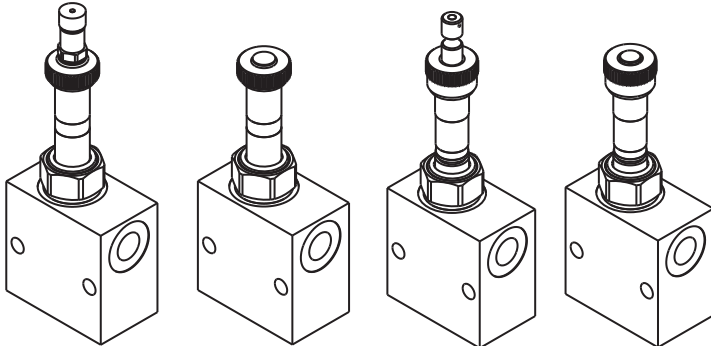


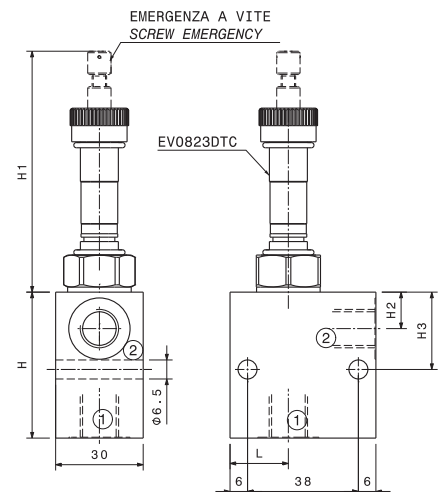
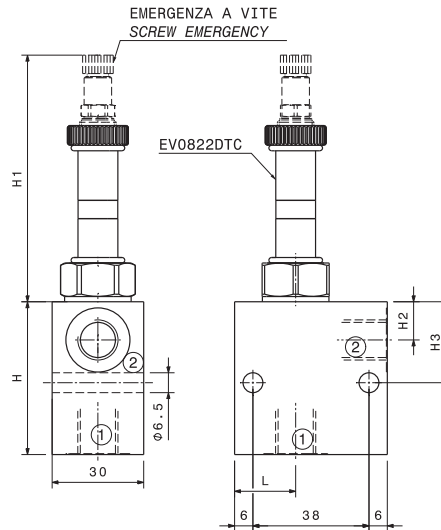
Valvola elettrica direzionale 2/2 a doppia tenuta normalmente chiusa
2/2 solenoid directional valve, bidirectional blocking
mod. EV-08-2X-DT



Portata massima Max flow	40 l/min 10.5 gpm	
Pressione massima Max pressure	EV-08-22-DT-**	250 bar 3600 psi
	EV-08-22-DT-**-Y (Su richiesta) (Upon request)	350 bar 5000 psi

Dati e tarature ottenuti usando olio a 30 cSt a 50°C.
Viscosità raccomandate 10 + 420 cSt. Temperature di lavoro -20+90 °C. Filtrazione assoluta 25 µ.
Performances and calibrations are carried out by using hydraulic oil with 30 cSt viscosity at 50°C (122 F). Recommended viscosity 10 + 420 cSt, working temperature -20+90 °C (-4 F+194 F). Absolute filtration 25 µ.

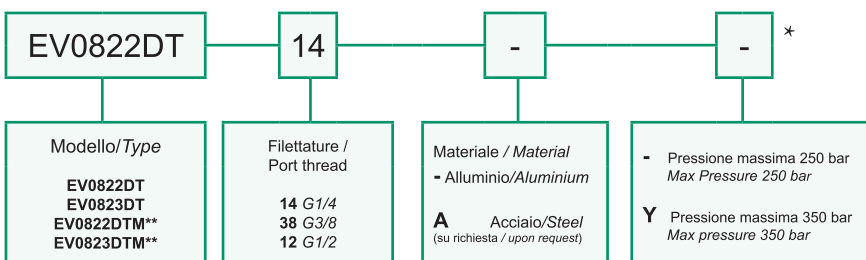
Modello Type	Attacchi Ports	H	H1	H2	H3	L
EV0822DT14	G1/4	50	59	12.5	26.5	20
EV0822DT38	G3/8	60	59	15	36.5	18
EV0822DT12	G1/2	60	59	15	36.5	18
EV0822DTM14	G1/4	50	81	12.5	26.5	20
EV0822DTM38	G3/8	60	81	15	36.5	18
EV0822DTM12	G1/2	60	81	15	36.5	18
EV0823DT14	G1/4	50	64	12.5	26.5	20
EV0823DT38	G3/8	60	64	15	36.5	18
EV0823DT12	G1/2	60	64	15	36.5	18
EV0823DTM14	G1/4	50	83	12.5	26.5	20
EV0823DTM38	G3/8	60	83	15	36.5	18
EV0823DTM12	G1/2	60	83	15	36.5	18



Perdite interne: max. 5 gocce/minuto a 250 bar
Internal leakage: max. 5 drops/min at 250 bar

**
M standard emergency screw type
MT pull (only for normally closed)
MS push (only for normally open)

Sigla di ordinazione / Ordering code



For flow diagram see PRESSURE DROP SOLENOID VALVE (7)

* Bobina venduta separatamente mod. S1
* Coil sold separately mod. S1

I dati non sono impegnativi, CBF si riserva di apportare modifiche senza preavviso.
The specifications are not binding, CBF reserves the right to introduce modifications without notice.