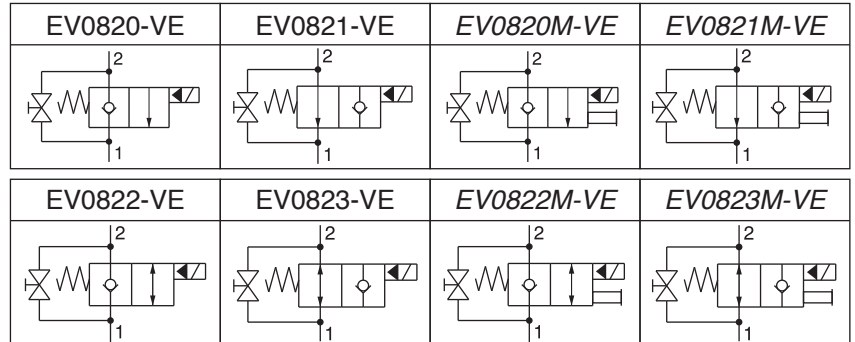
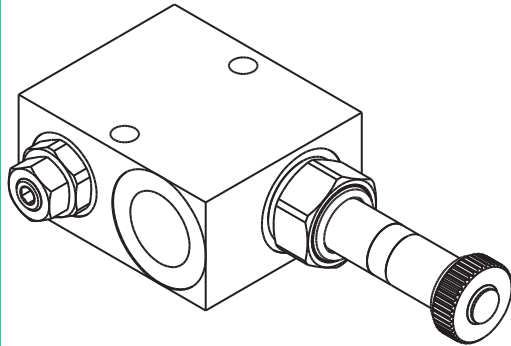
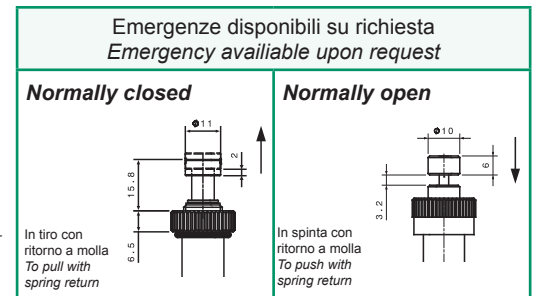
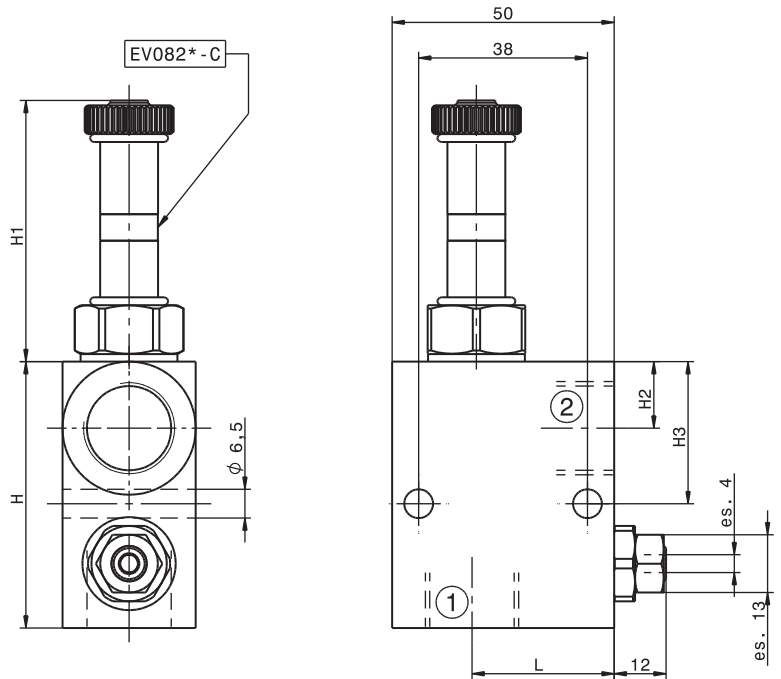


Valvola elettrica direzionale 2/2 con vite di emergenza
2/2 solenoid directional valve with emergency screw
mod. EV-08-2X-VE

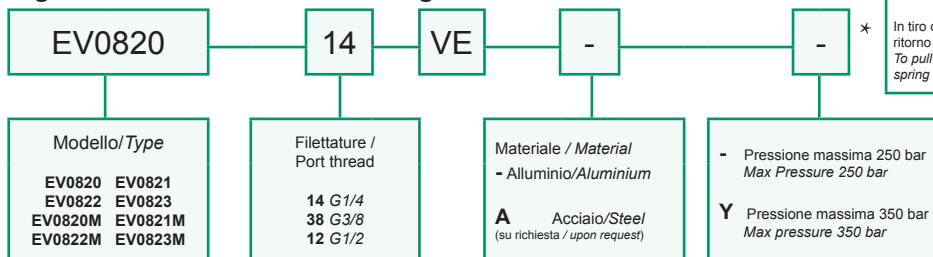


Portata massima Max flow	40 l/min 10.5 gpm	
Pressione massima Max pressure	EV-08-2*-**-VE	250 bar 3600 psi
	EV-08-2X**-VE-Y (Su richiesta) (Upon request)	350 bar 5000 psi

Modello Type	② ①	H	H1	H2	H3	L
EV0820-14-VE	G1/4	50	59	12.5	26	31
EV0820-38-VE	G3/8	60	59	15	32	32
EV0820-12-VE	G1/2	60	59	15	32	32
EV0821-14-VE	G1/4	50	64	12.5	26	31
EV0821-38-VE	G3/8	60	64	15	32	32
EV0821-12-VE	G1/2	60	64	15	32	32
EV0822-14-VE	G1/4	50	59	12.5	26	31
EV0822-38-VE	G3/8	60	59	15	32	32
EV0822-12-VE	G1/2	60	59	15	32	32
EV0823-14-VE	G1/4	50	64	12.5	26	31
EV0823-38-VE	G3/8	60	64	15	32	32
EV0823-12-VE	G1/2	60	64	15	32	32
EV0820M-14-VE	G1/4	50	81	12.5	26	31
EV0820M-38-VE	G3/8	60	81	15	32	32
EV0820M-12-VE	G1/2	60	81	15	32	32
EV0821M-14-VE	G1/4	50	84	12.5	26	31
EV0821M-38-VE	G3/8	60	84	15	32	32
EV0821M-12-VE	G1/2	60	84	15	32	32
EV0822M-14-VE	G1/4	50	81	12.5	26	31
EV0822M-38-VE	G3/8	60	81	15	32	32
EV0822M-12-VE	G1/2	60	81	15	32	32
EV0823M-14-VE	G1/4	50	84	12.5	26	31
EV0823M-38-VE	G3/8	60	84	15	32	32
EV0823M-12-VE	G1/2	60	84	15	32	32



Sigla di ordinazione / Ordering code



* Bobina venduta separatamente mod. S1
* Coil sold separately mod. S1

I dati non sono impegnativi, CBF si riserva di apportare modifiche senza preavviso.
The specifications are not binding, CBF reserves the right to introduce modifications without notice.