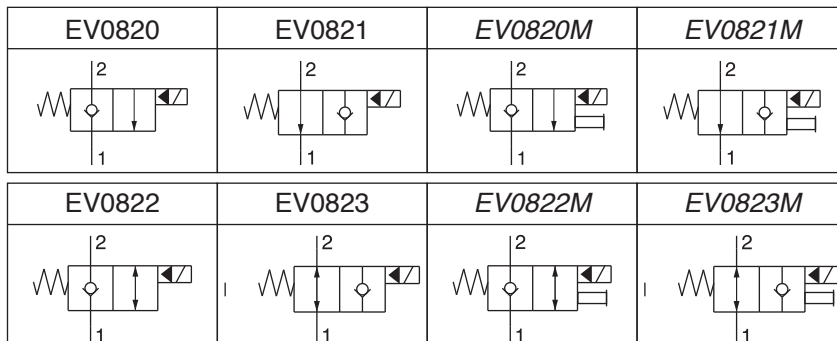
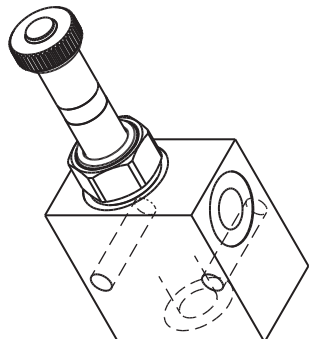
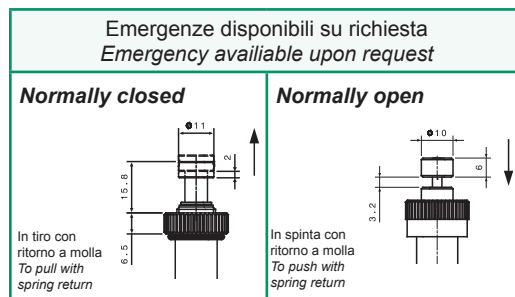
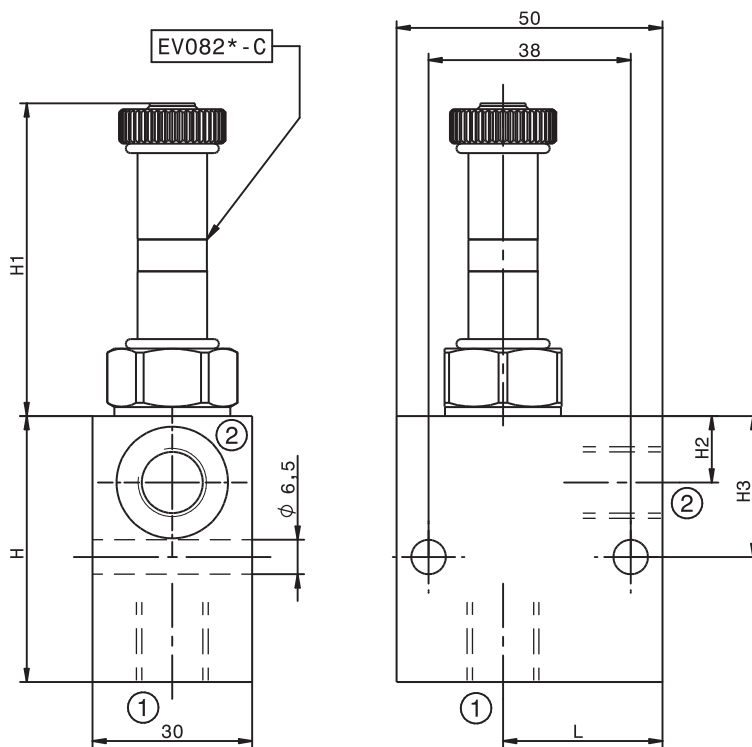


Valvola elettrica direzionale 2/2  
2/2 solenoid directional valve  
mod. EV-08-2X

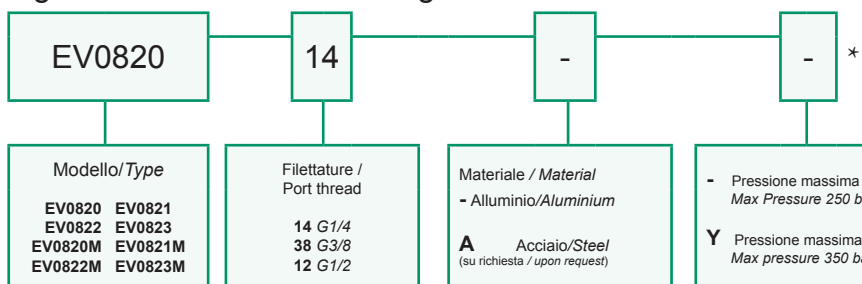


Portata massima Max flow	40 l/min 10.5 gpm	
Pressione massima Max pressure bar/psi	EV-08-2*-**	250 bar 3600 psi
	EV-08-2*-**-Y (Su richiesta) (Upon request)	350 bar 5000 psi

Modello Type	② ①	H	H1	H2	H3	L
EV0820-14	G1/4	50	59	12.5	26.5	30
EV0820-38	G3/8	60	59	15	36.5	32
EV0820-12	G1/2	60	59	15	36.5	31
EV0821-14	G1/4	50	64	12.5	26.5	30
EV0821-38	G3/8	60	64	15	36.5	32
EV0821-12	G1/2	60	64	15	36.5	31
EV0822-14	G1/4	50	59	12.5	26.5	30
EV0822-38	G3/8	60	59	15	36.5	32
EV0822-12	G1/2	60	59	15	36.5	31
EV0823-14	G1/4	50	64	12.5	26.5	30
EV0823-38	G3/8	60	64	15	36.5	32
EV0823-12	G1/2	60	64	15	36.5	31
EV0820M-14	G1/4	50	81	12.5	26.5	30
EV0820M-38	G3/8	60	81	15	36.5	32
EV0820M-12	G1/2	60	81	15	36.5	31
EV0821M-14	G1/4	50	84	12.5	26.5	30
EV0821M-38	G3/8	60	84	15	36.5	32
EV0821M-12	G1/2	60	84	15	36.5	31
EV0822M-14	G1/4	50	81	12.5	26.5	30
EV0822M-38	G3/8	60	81	15	36.5	32
EV0822M-12	G1/2	60	81	15	36.5	31
EV0823M-14	G1/4	50	84	12.5	26.5	30
EV0823M-38	G3/8	60	84	15	36.5	32
EV0823M-12	G1/2	60	84	15	36.5	31



Sigla di ordinazione / Ordering code



\* Bobina venduta separatamente mod. S1  
\* Coil sold separately mod. S1

I dati non sono impegnativi, CBF si riserva di apportare modifiche senza preavviso.  
The specifications are not binding, CBF reserves the right to introduce modifications without notice.