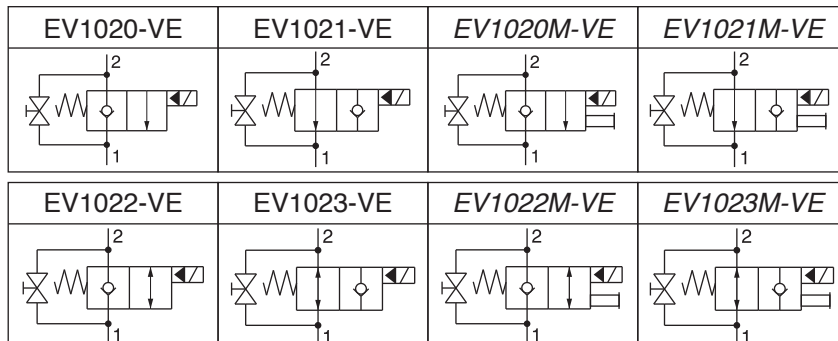
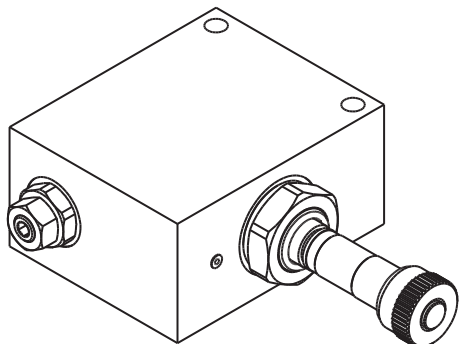


Valvola elettrica direzionale 2/2 con vite di emergenza
2/2 solenoid directional valve with emergency screw

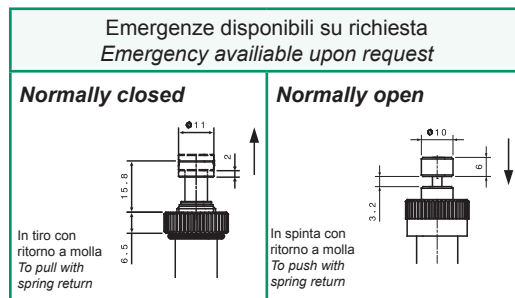
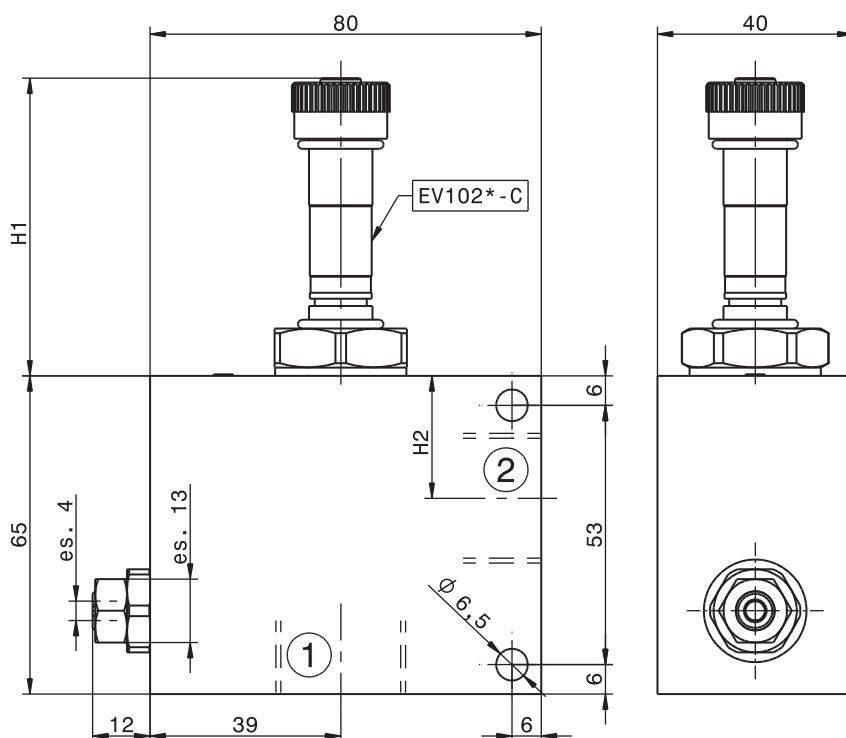
mod. EV-10-2X-VE



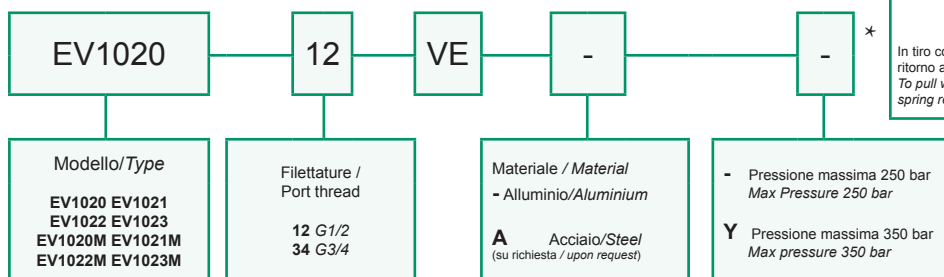
Portata massima Max flow	70 l/min 18.5 gpm	
Pressione massima Max pressure	EV-10-2X-**-VE	250 bar 3600 psi
	EV-10-2X-**-VE-Y (Su richiesta) (Upon request)	350 bar 5000 psi

Dati e tarature ottenuti usando olio a 30 cSt a 50°C.
Viscosità raccomandate 10 + 420 cSt. Temperature di lavoro -20++90 °C. Filtrazione assoluta 25 µ.
Performances and calibrations are carried out by using hydraulic oil with 30 cSt viscosity at 50°C (122 F). Recommended viscosity 10 + 420 cSt, working temperature -20++90 °C (-4 F+194 F). Absolute filtration 25 µ.

Modello Type	②①	H1	H2
EV1020-12-VE	G1/2	56	23
EV1020-34-VE	G3/4	56	25
EV1021-12-VE	G1/2	61	23
EV1021-34-VE	G3/4	61	25
EV1022-12-VE	G1/2	56	23
EV1022-34-VE	G3/4	56	25
EV1023-12-VE	G1/2	61	23
EV1023-34-VE	G3/4	61	25
EV1020M-12-VE	G1/2	78	23
EV1020M-34-VE	G3/4	78	25
EV1021M-12-VE	G1/2	81	23
EV1021M-34-VE	G3/4	81	25
EV1022M-12-VE	G1/2	78	23
EV1022M-34-VE	G3/4	78	25
EV1023M-12-VE	G1/2	81	23
EV1023M-34-VE	G3/4	81	25



Sigla di ordinazione / Ordering code



* Bobina venduta separatamente mod. S1
* Coil sold separately mod. S1

I dati non sono impegnativi, CBF si riserva di apportare modifiche senza preavviso.
The specifications are not binding, CBF reserves the right to introduce modifications without notice.