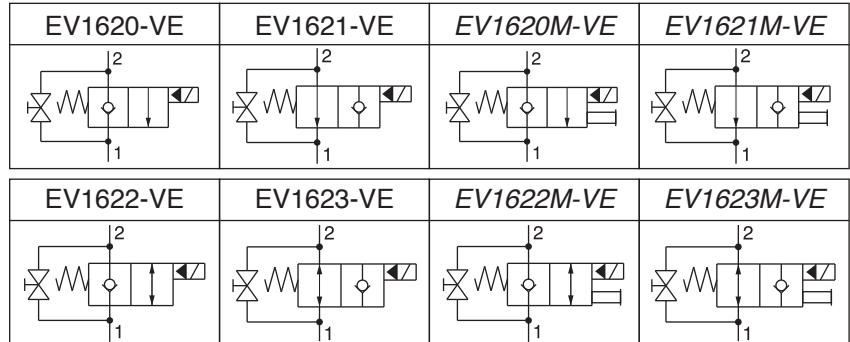
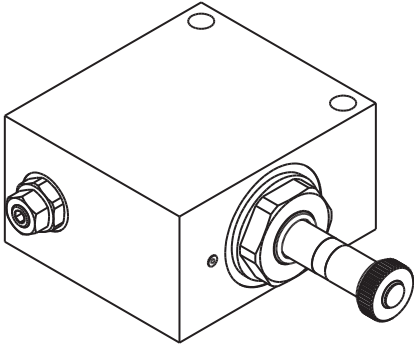


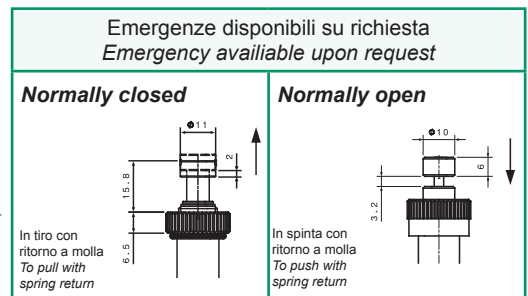
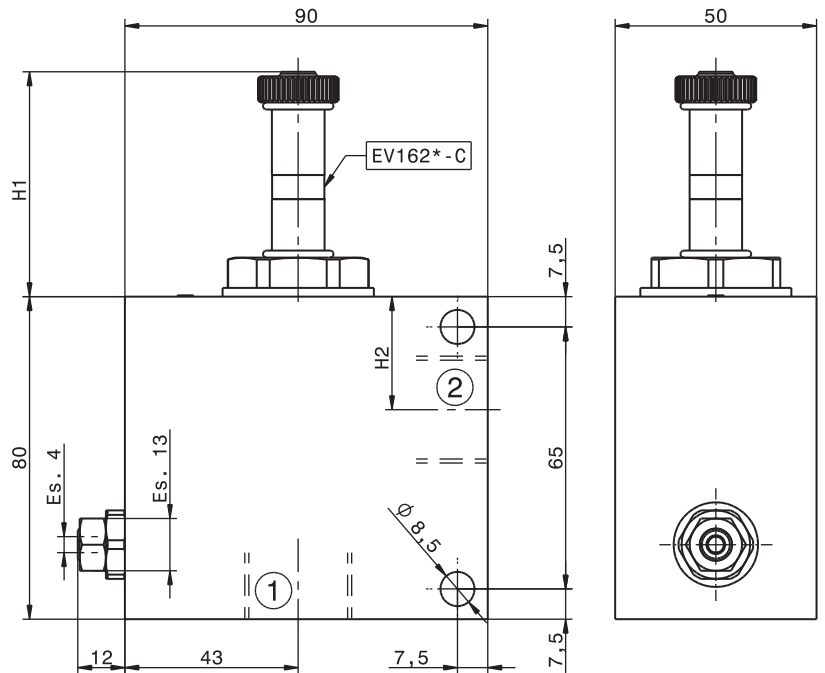
Valvola elettrica direzionale 2/2 con vite di emergenza  
2/2 solenoid directional valve with emergency screw  
mod. EV-16-2X-VE



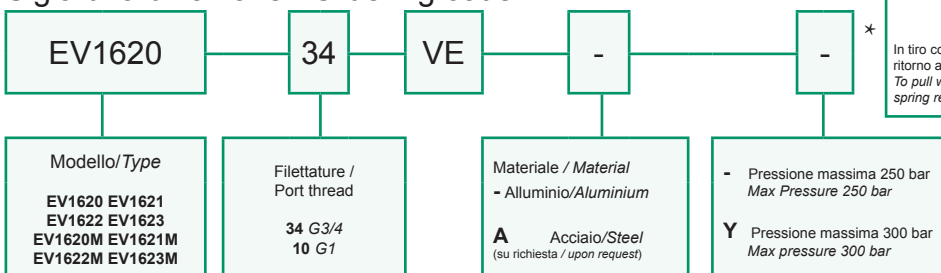
Portata massima Max flow	150 l/min 40 gpm	
Pressione massima Max pressure	EV-16-2X-**-VE-Y	250 bar 3600 psi
	EV-16-2X-**-VE-Y (Su richiesta) (Upon request)	300 bar 4300 psi

Dati e tarature ottenuti usando olio a 30 cSt a 50°C. Viscosità raccomandate 10 ÷ 420 cSt. Temperature di lavoro -20÷+90 °C. Filtrazione assoluta 25 µ.  
Performances and calibrations are carried out by using hydraulic oil with 30 cSt viscosity at 50°C (122 F). Recommended viscosity 10 ÷ 420 cSt, working temperature -20÷+90 °C (-4 F÷194 F). Absolute filtration 25 µ.

Modello Type	② ①	H1	H2
EV1620-34-VE	G3/4	56	28
EV1620-10-VE	G1	56	31
EV1621-34-VE	G3/4	61	28
EV1621-10-VE	G1	61	31
EV1622-34-VE	G3/4	56	28
EV1622-10-VE	G1	56	31
EV1623-34-VE	G3/4	61	28
EV1623-10-VE	G1	61	31
EV1620M-34-VE	G3/4	78	28
EV1620M-10-VE	G1	78	31
EV1621M-34-VE	G3/4	81	28
EV1621M-10-VE	G1	81	31
EV1622M-34-VE	G3/4	78	28
EV1622M-10-VE	G1	78	31
EV1623M-34-VE	G3/4	81	28
EV1623M-10-VE	G1	81	31



Sigla di ordinazione / Ordering code



\* Bobina venduta separatamente mod. S1  
\* Coil sold separately mod. S1

I dati non sono impegnativi, CBF si riserva di apportare modifiche senza preavviso.  
The specifications are not binding, CBF reserves the right to introduce modifications without notice.