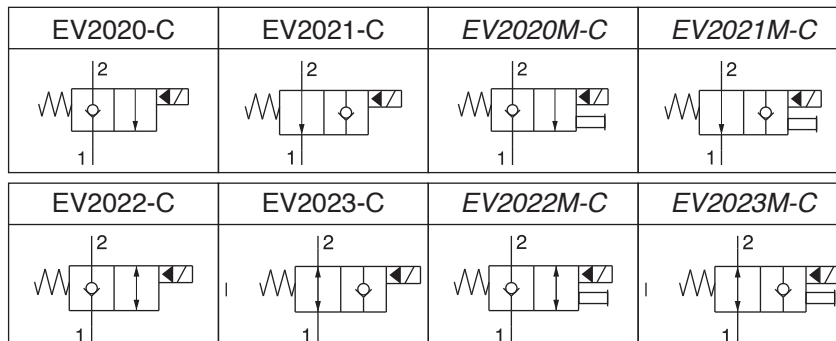
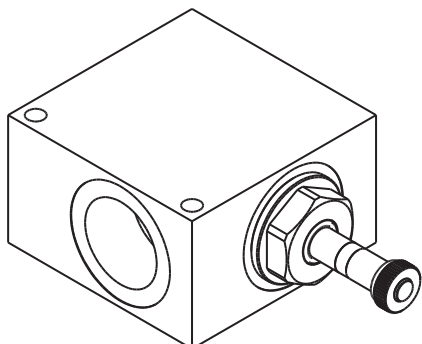
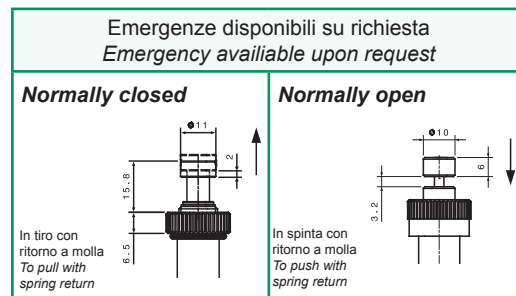
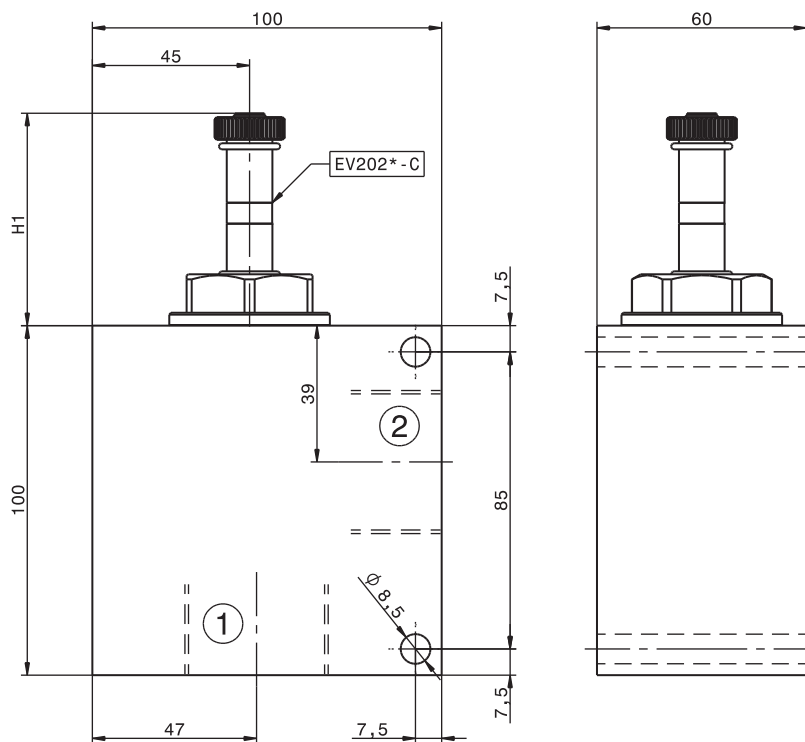


Valvola elettrica direzionale 2/2
 2/2 solenoid directional valve
 mod. EV-20-2X

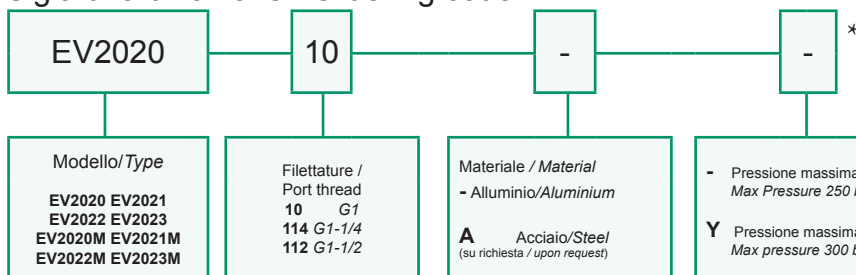


Portata massima Max flow	200 l/min 53 gpm	
Pressione massima Max pressure	EV-20-2*-**	250 bar 3600 psi
	EV-20-2*-**Y (Su richiesta) (Upon request)	300 bar 4300 psi

Modello Type	② ①	H1
EV2020-10 EV2020-114 EV2020-112	G1" G1"-1/4 G1"-1/2	61
EV2021-10 EV2021-114 EV2021-112	G1" G1"-1/4 G1"-1/2	66
EV2022-10 EV2022-114 EV2022-112	G1" G1"-1/4 G1"-1/2	61
EV2023-10 EV2023-114 EV2023-112	G1" G1"-1/4 G1"-1/2	66
EV2020M-10 EV2020M-114 EV2020M-112	G1" G1"-1/4 G1"-1/2	83
EV2021M-10 EV2021M-114 EV2021M-112	G1" G1"-1/4 G1"-1/2	85
EV2022M-10 EV2022M-114 EV2022M-112	G1" G1"-1/4 G1"-1/2	83
EV2023M-10 EV2023M-114 EV2023M-112	G1" G1"-1/4 G1"-1/2	85



Sigla di ordinazione / Ordering code



* Bobina venduta separatamente mod. S1
 * Coil sold separately mod. S1

I dati non sono impegnativi, CBF si riserva di apportare modifiche senza preavviso.
 The specifications are not binding, CBF reserves the right to introduce modifications without notice.